



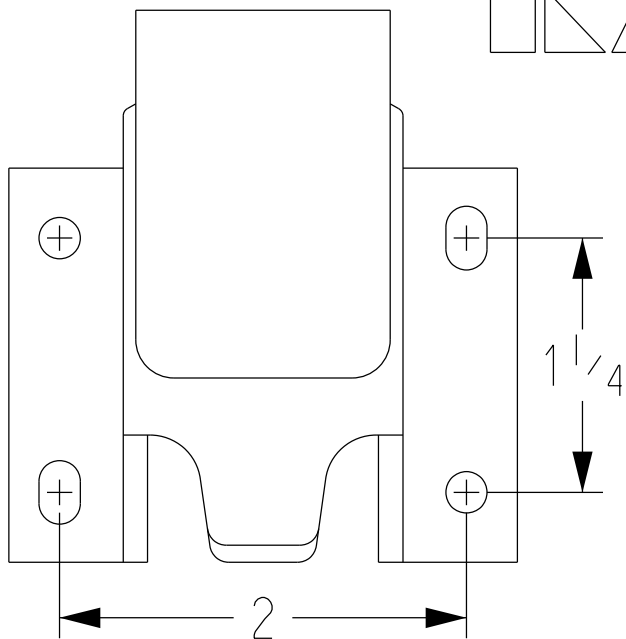
Industries, Inc.

1094-13

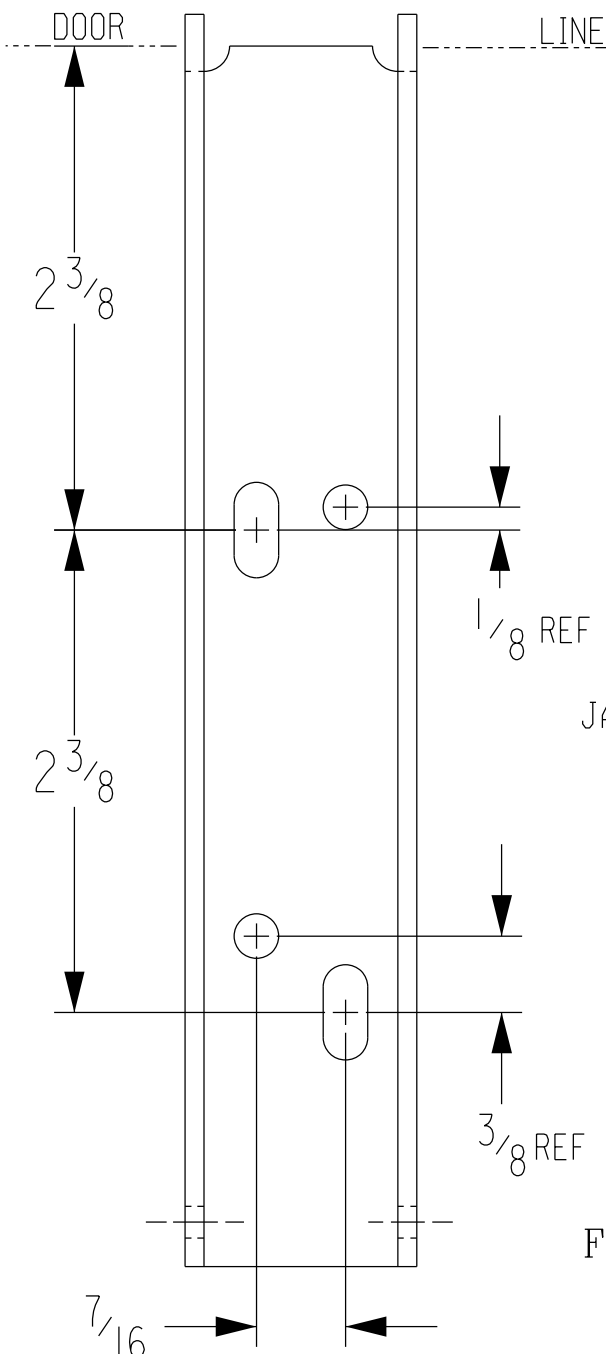
1094-14

DOOR CLOSER INSTRUCTION SHEET

GreenGuard BY KASON INDUSTRIES



1. WITH DOOR CLOSED, MATCH MOUNTING TEMPLATE DOOR LINE WITH UPPER DOOR EDGE.
2. CENTER PUNCH SLOTTED HOLES ONLY.
3. DRILL CENTER PUNCHED HOLES FOR SCREWS.
4. FASTEN MOUNTING BRACKET AND HOOK USING SCREWS.



5. WITH DOOR OPEN, SLIDE DOOR CLOSER BODY TABS OVER MOUNTING BRACKETS UPPER TABS, PULLING BODY DOWNWARD OVER THE MOUNTING PLATE WITH A GENTLE PRESSURE UNTIL IT STOPS. DO NOT FULLY SEAT BODY INTO ASSEMBLED POSITION AT THIS TIME.
6. ACTIVATE LEVER ARM OF DOOR CLOSER BY PULLING ARM INTO DOWN POSITION AS SEEN IN FIGURE "A".
7. CLOSE DOOR SLOWLY, ROLLER SHOULD JUST CLEAR HOOKS OUTER LIP. (SEE FIGURE "A")
8. WHEN PROPERLY ADJUSTED, PUNCH AND DRILL REMAINING HOOK AND BRACKET HOLES, FASTEN SECURELY AND ASSEMBLE BODY INTO FULLY SEATED POSITION.

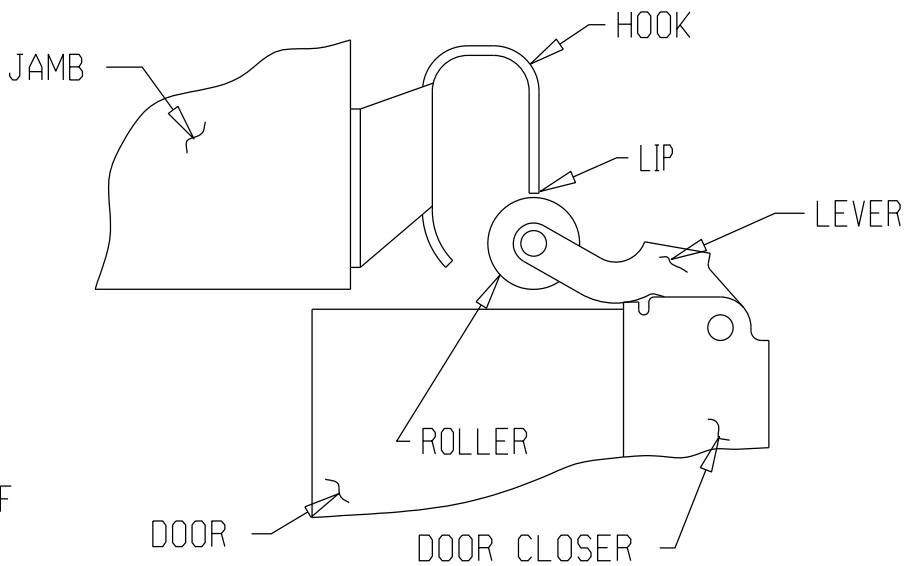


FIGURE "A"