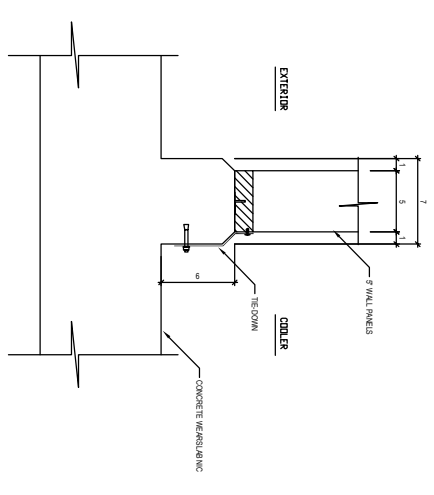
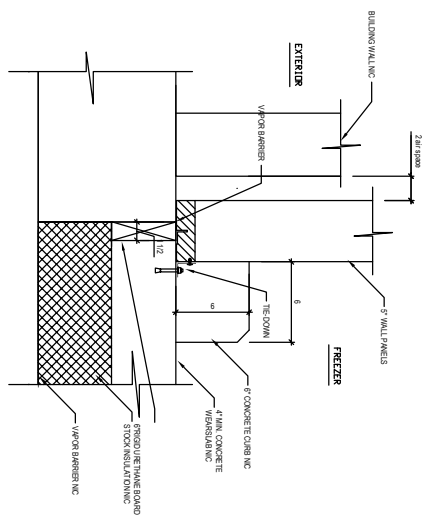


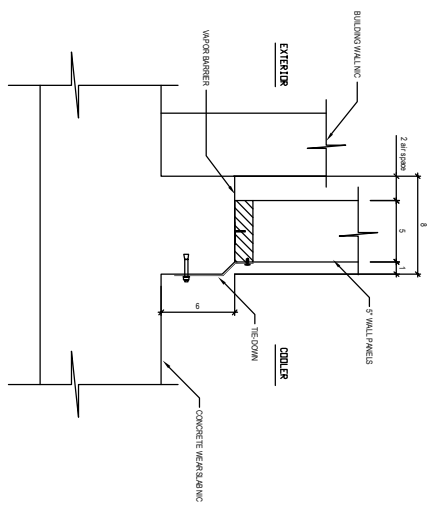
**A** FREEZER CURB DETAIL  
 5" TYP. QUALITY FRAME PANEL  
 (N/S)



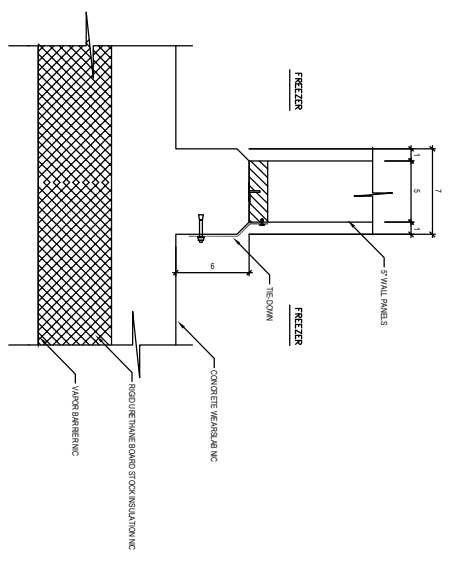
**7** COOLER CURB DETAIL  
 5" TYP. QUALITY FRAME PANEL  
 (N/S)



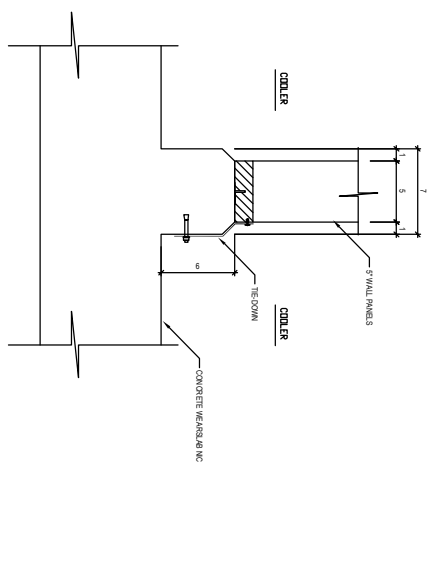
**8** FREEZER CURB DETAIL @ BUILDING WALL  
 5" TYP. QUALITY FRAME PANEL  
 (N/S)



**8** COOLER CURB DETAIL @ BUILDING WALL  
 5" TYP. QUALITY FRAME PANEL  
 (N/S)



**9** FREEZER CURB COMMON WALL DETAIL  
 5" TYP. QUALITY FRAME PANEL  
 (N/S)



**9** COOLER CURB COMMON WALL DETAIL  
 5" TYP. QUALITY FRAME PANEL  
 (N/S)