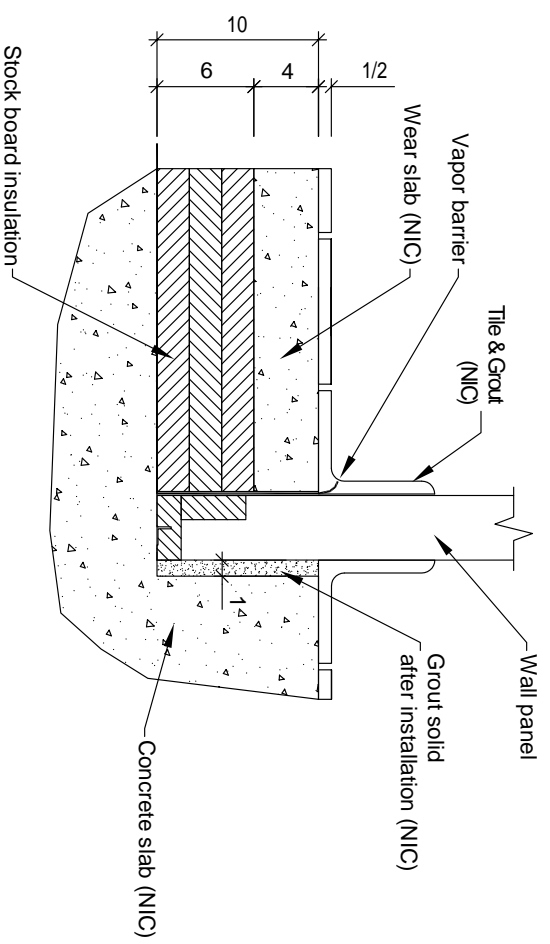
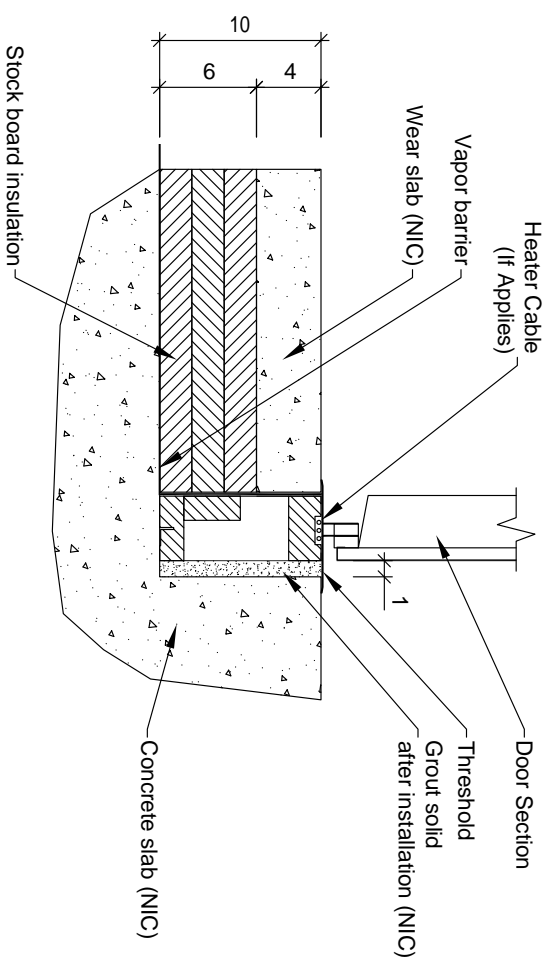


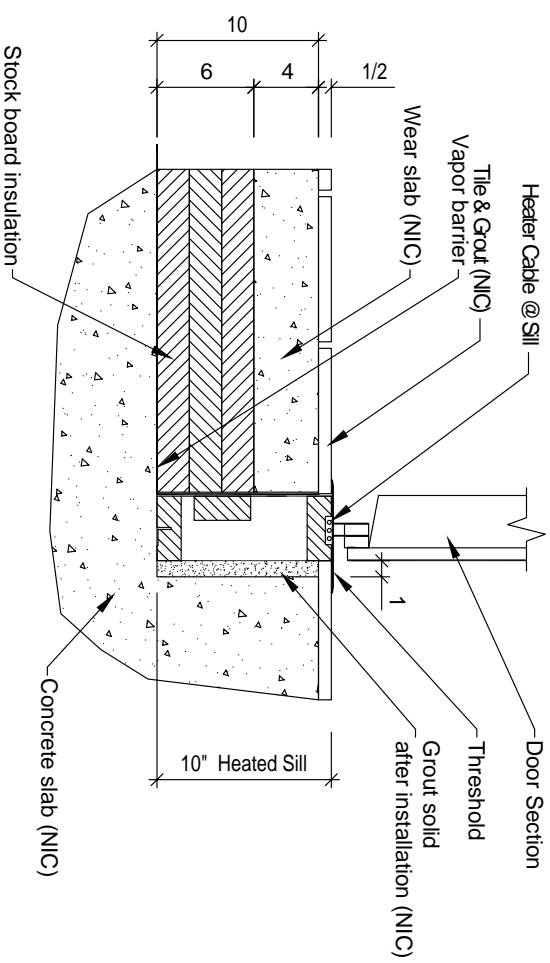
1 INSULATED PIT DETAIL
1 Wall panel section



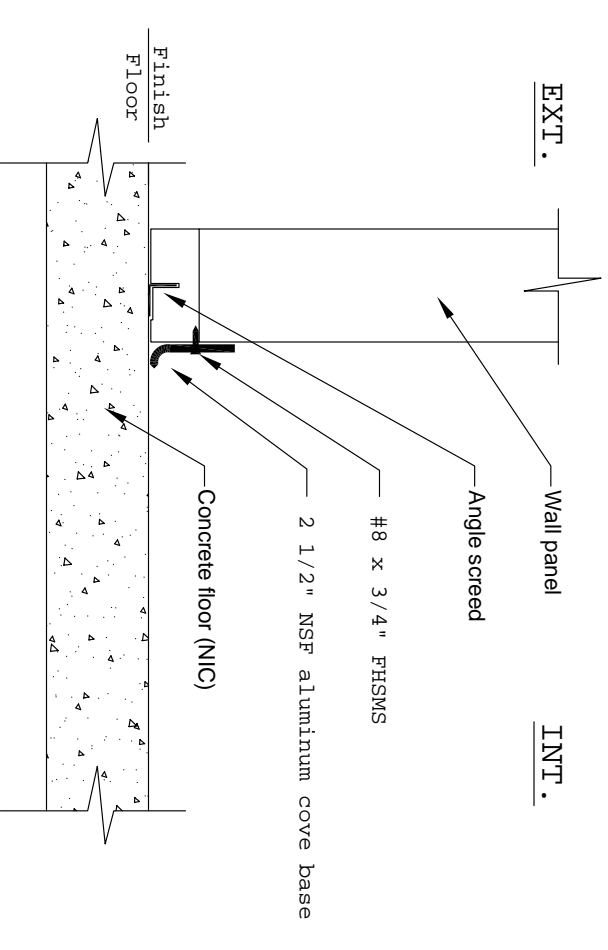
4 INSULATED PIT DETAIL
1 Tile @ Wall Panel Section



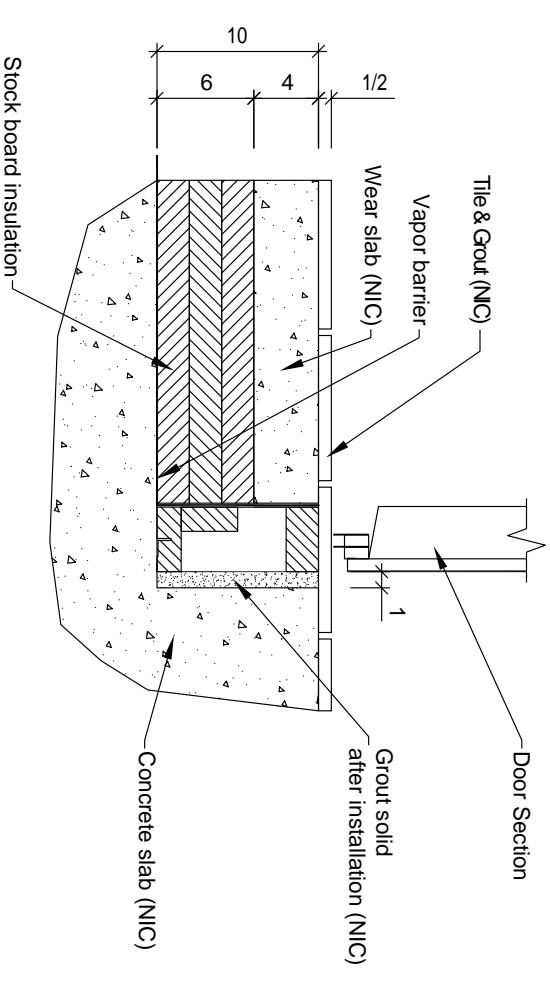
2 INSULATED PIT DETAIL
1 Flush door section



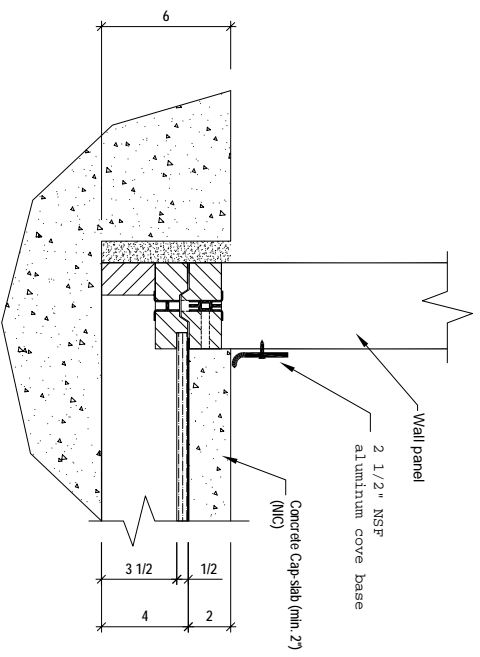
5 INSULATED PIT DETAIL
1 Raised flush freezer door with tile



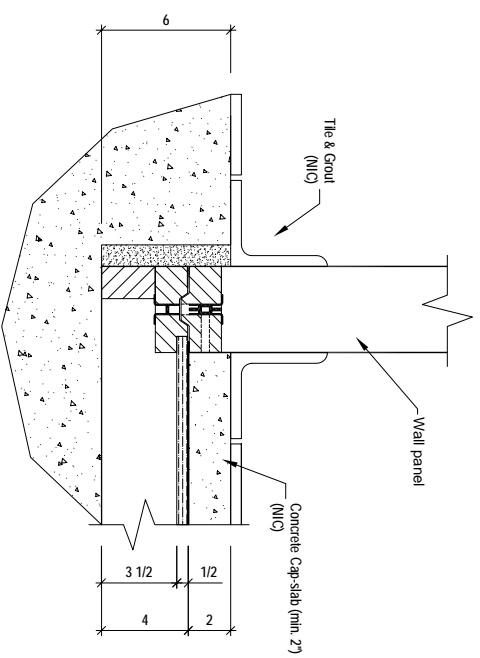
3 COVER BASE DETAIL
1 Over Concrete Floor (NTS)



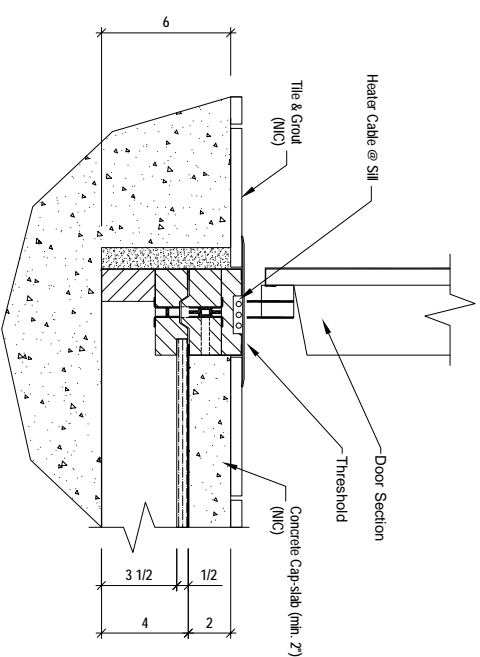
6 INSULATED PIT DETAIL
1 Flush cooler door with tile



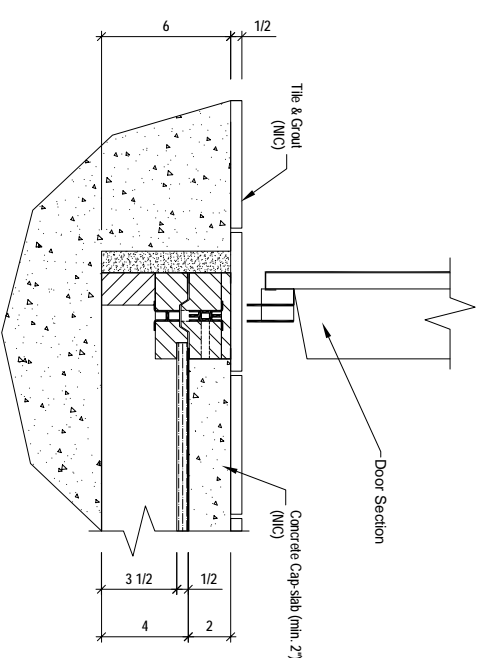
7 RECESSED FLOOR SECTION
1 Concrete Cap Slab & NSF Cove Base
NTS



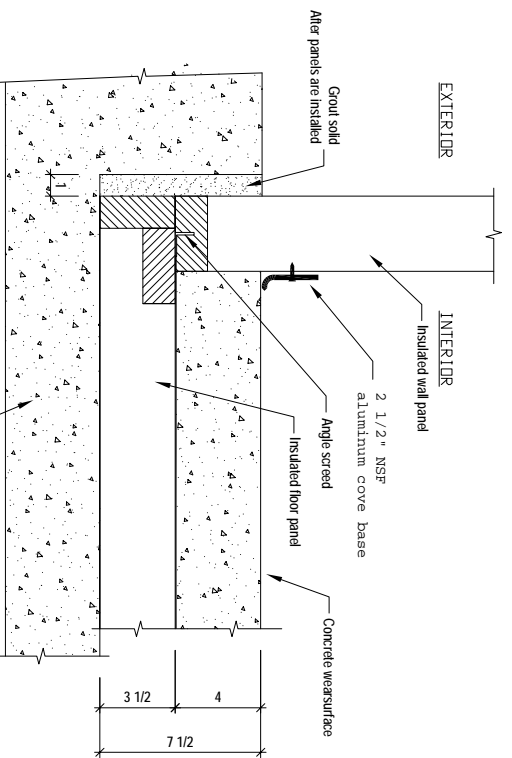
8 RECESSED FLOOR SECTION
1 Tile Over Concrete Cap Slab
NTS



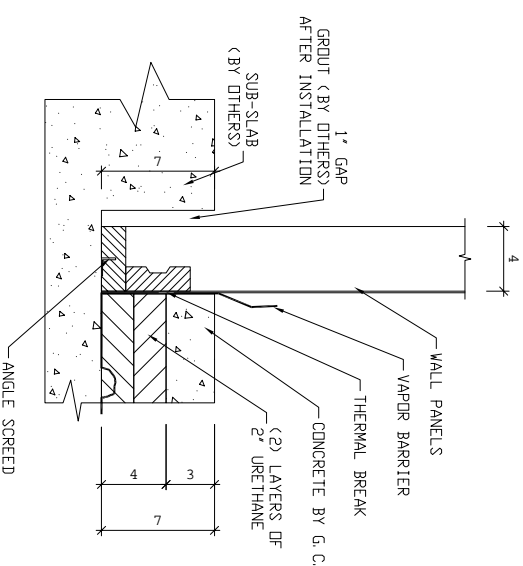
9 RECESSED FLOOR SECTION
1 Tile Over Concrete Cap Slab @ Freezer Door
NTS



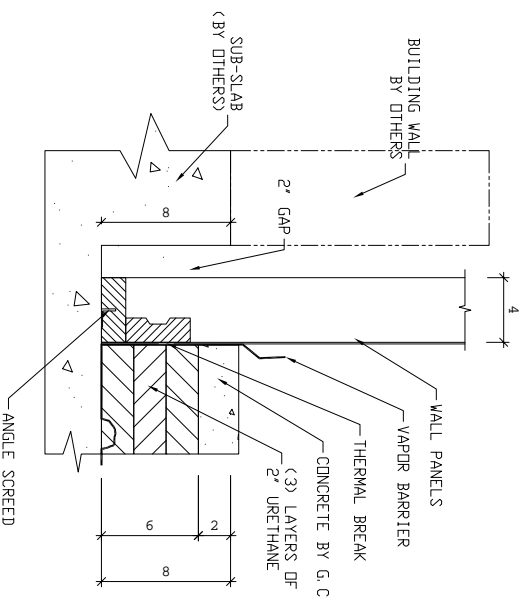
10 RECESSED FLOOR SECTION
1 Tile Over Concrete Cap Slab @ Cooler Door
NTS



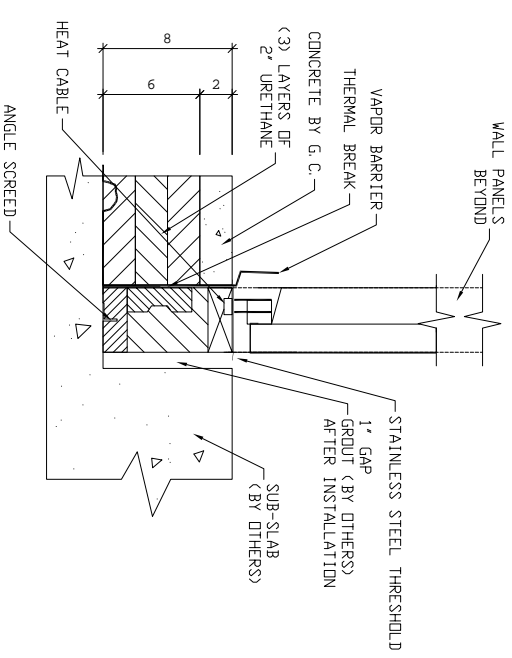
11 PIT SECTION
1 ANGLE SCREED



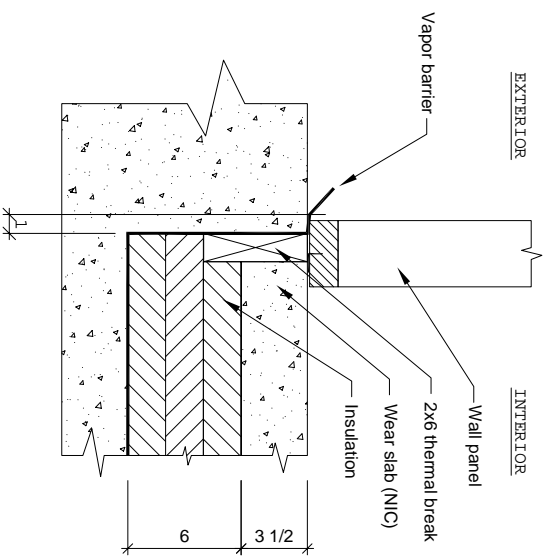
12 PIT SECTION
1 ANGLE SCREED



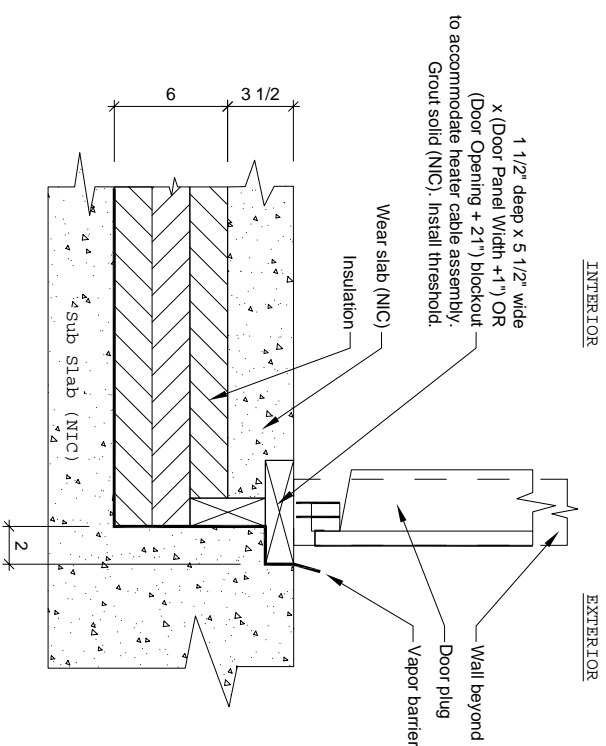
13 PIT SECTION
1 ANGLE SCREED



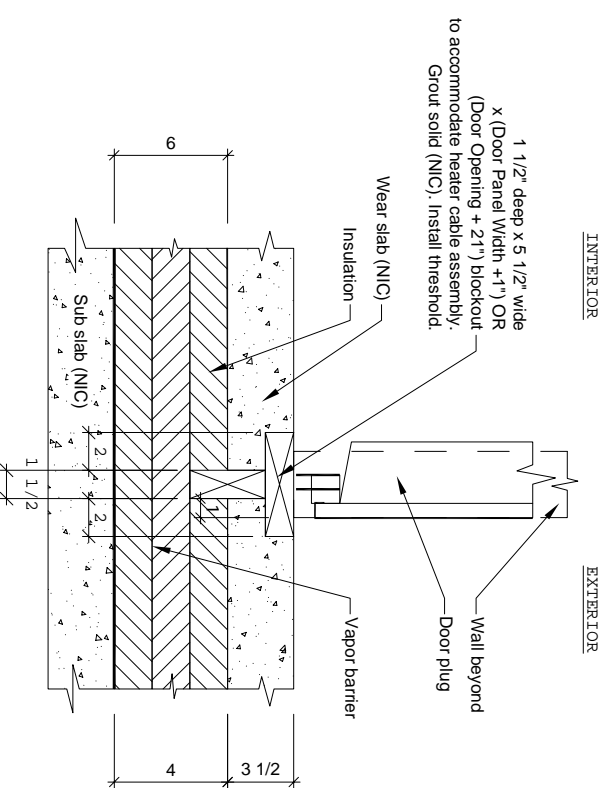
14 PIT SECTION
1 ANGLE SCREED



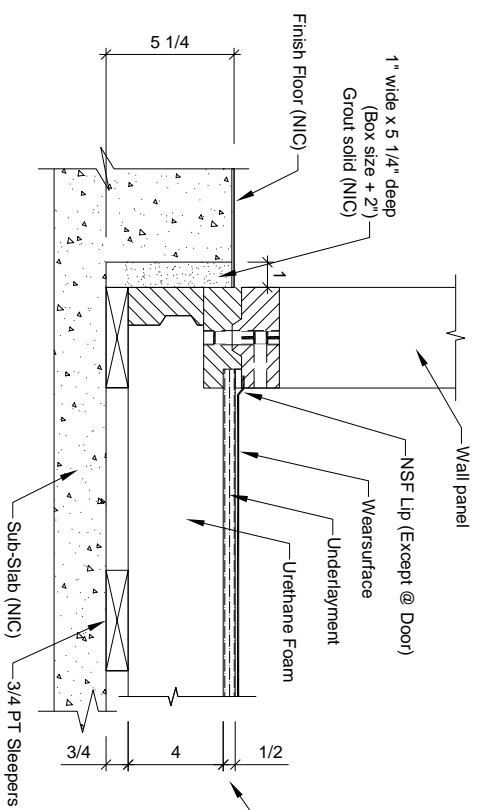
15 INSULATED PIT SECTION DETAIL
 1 Wall on grade (NTS)



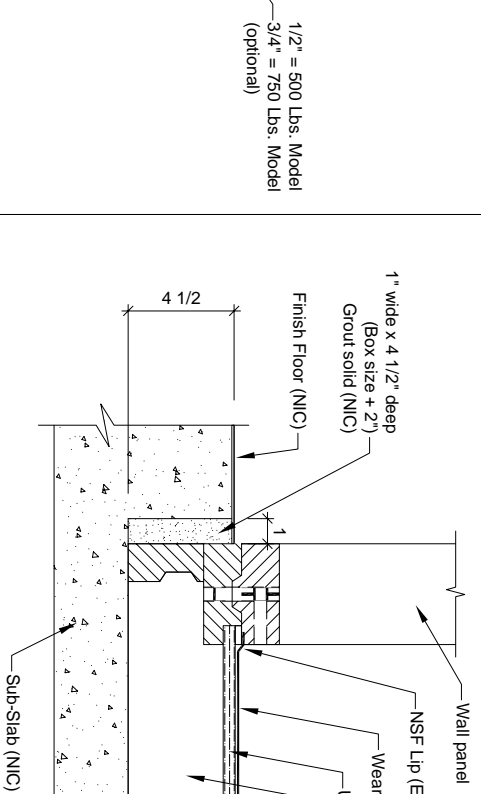
16 INSULATED PIT SECTION DETAIL
 1 Swing doors w/ 10" jambs (NTS)



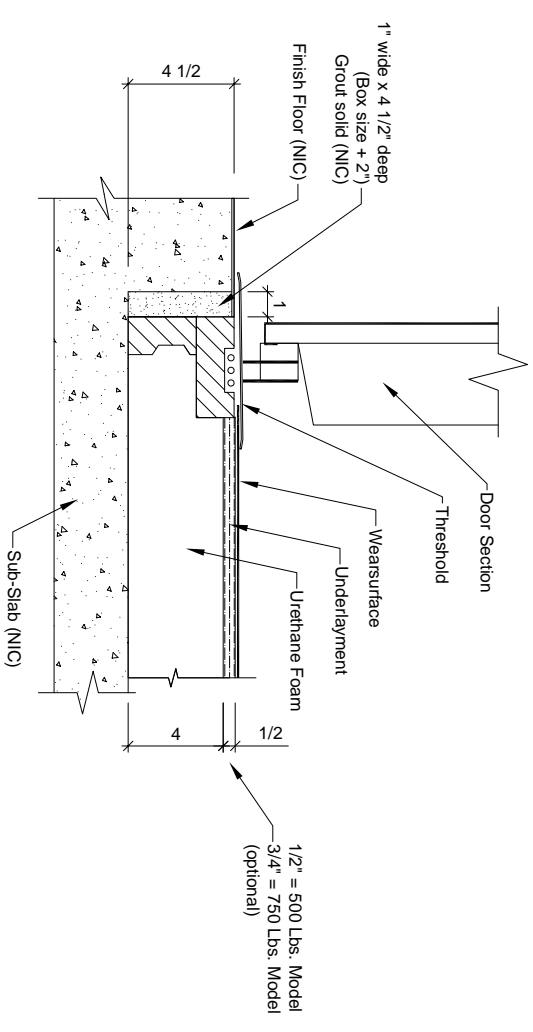
17 INSULATED PIT SECTION DETAIL
 1 DOOR @ PARTITION WALL (NTS)



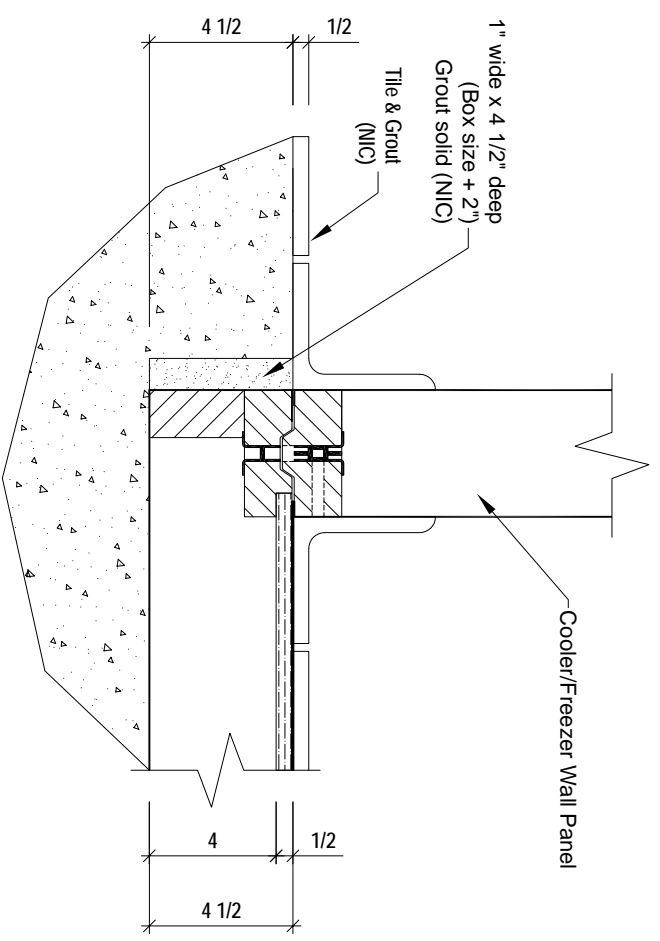
18 RECESSED PREFABRICATED FLOOR DETAIL
 1 Recessed Floor Panel System @ Wall Area 500 Lbs. Model Shown w/ PT Sleepers (NTS)



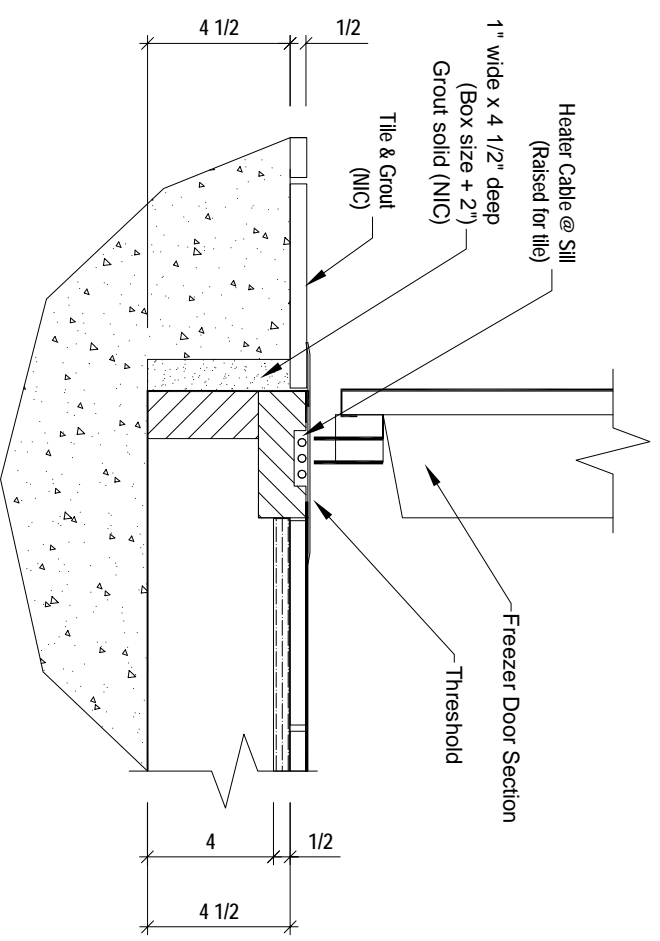
19 RECESSED PREFABRICATED FLOOR DETAIL
 1 Recessed Floor Panel System @ Wall Area 500 Lbs. Model Shown (NTS)



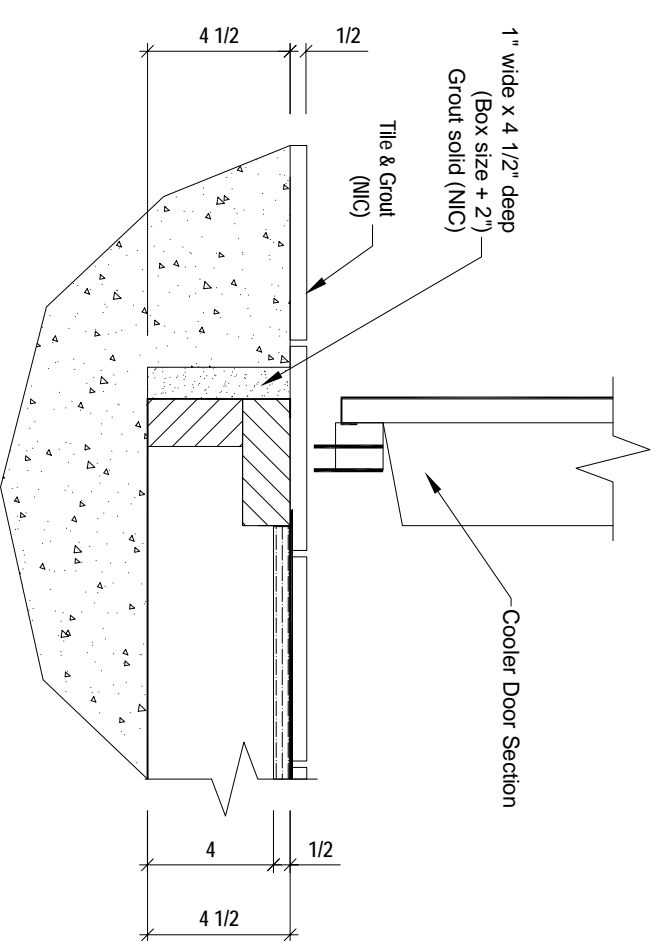
20 RECESSED PREFABRICATED FLOOR DETAIL
 1 Recessed Floor Panel System @ Door Area 500 Lbs. Model Shown (NTS)



21 RECESSED PREFABRICATED FLOOR SECTION
 1 Quarry Tile Over Pre-fab Floor
 MTS



22 RECESSED FREEZER FLOOR SECTION
 1 Tile Over Pre-fab Floor @ Freezer Door Sill
 MTS



23 RECESSED COOLER FLOOR SECTION
 1 Tile Over Pre-fab Floor @ Cooler Door Sill
 MTS