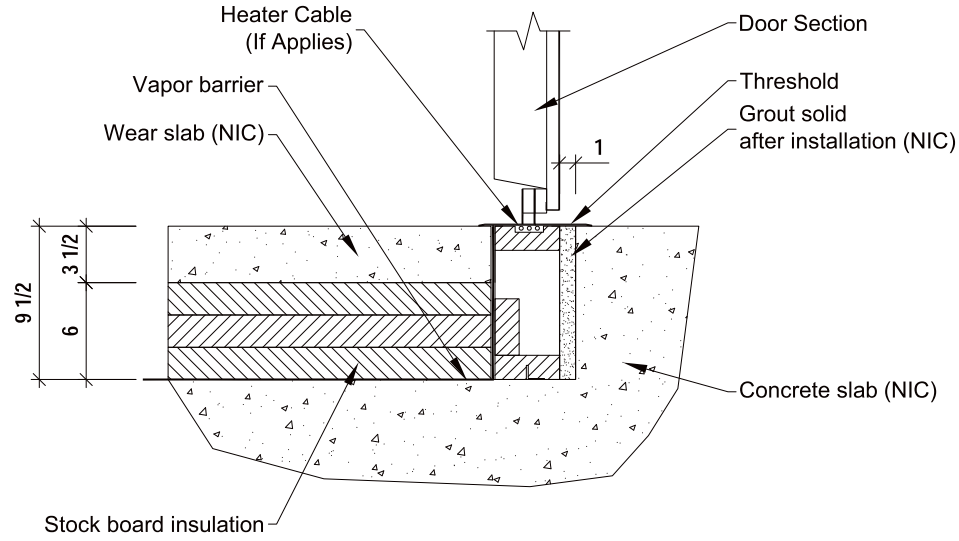
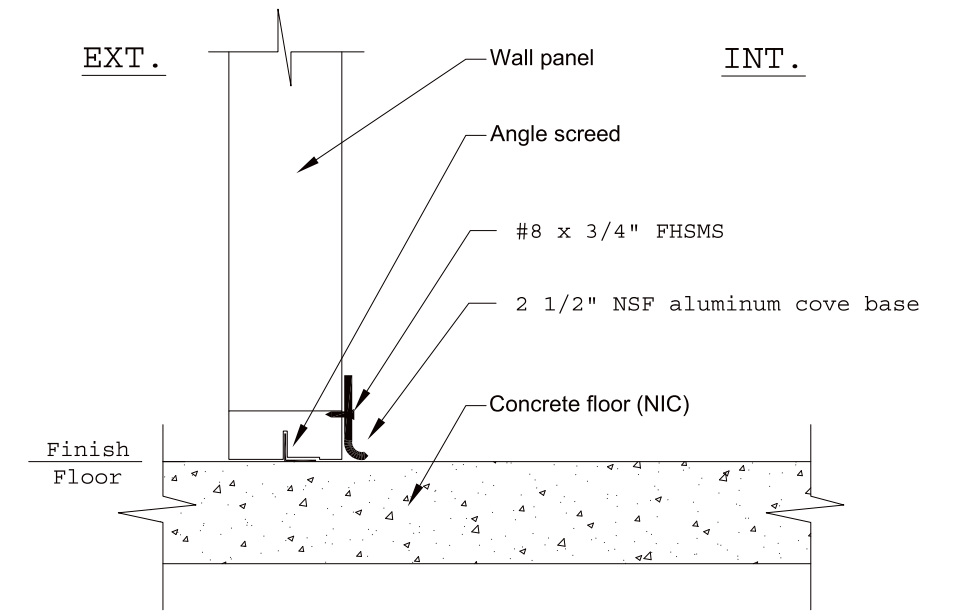


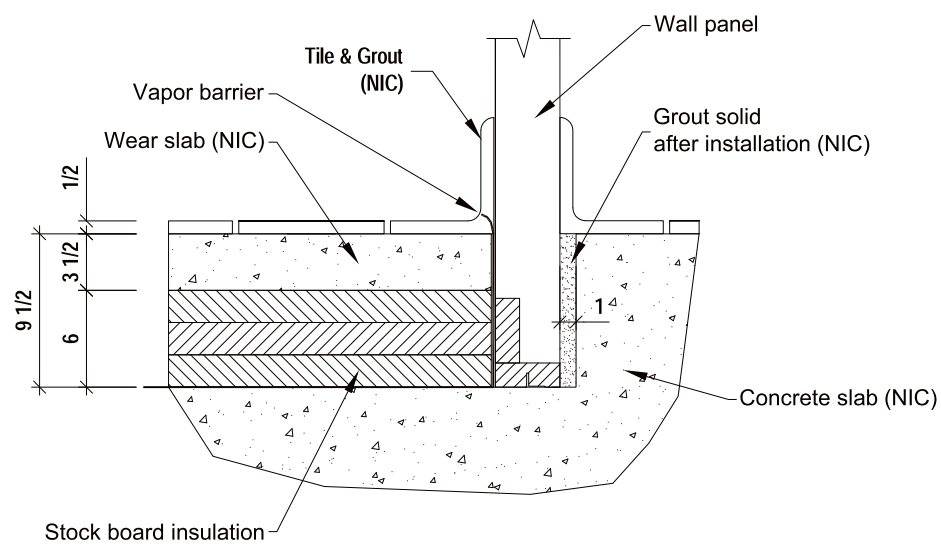
**1** INSULATED PIT DETAIL  
**1** Wall panel section



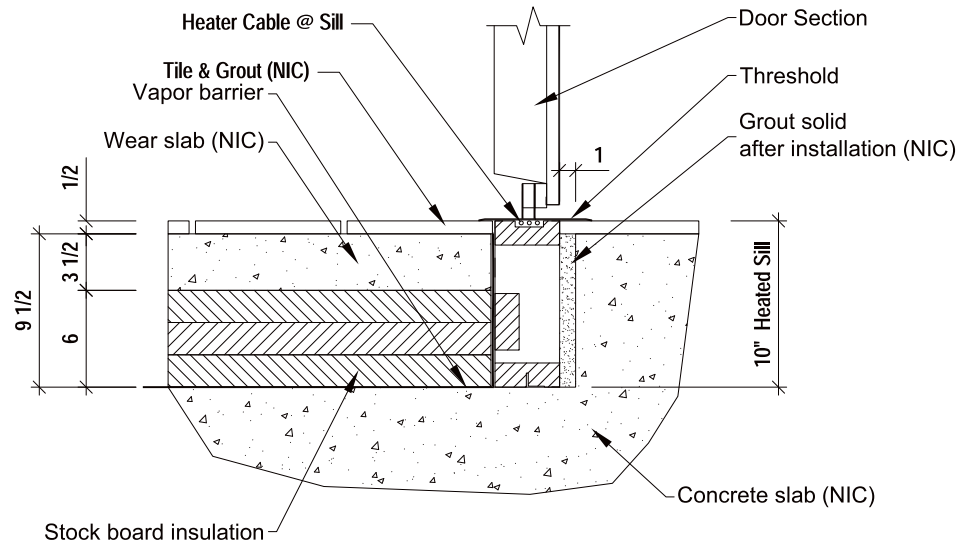
**2** INSULATED PIT DETAIL  
**1** Flush door section



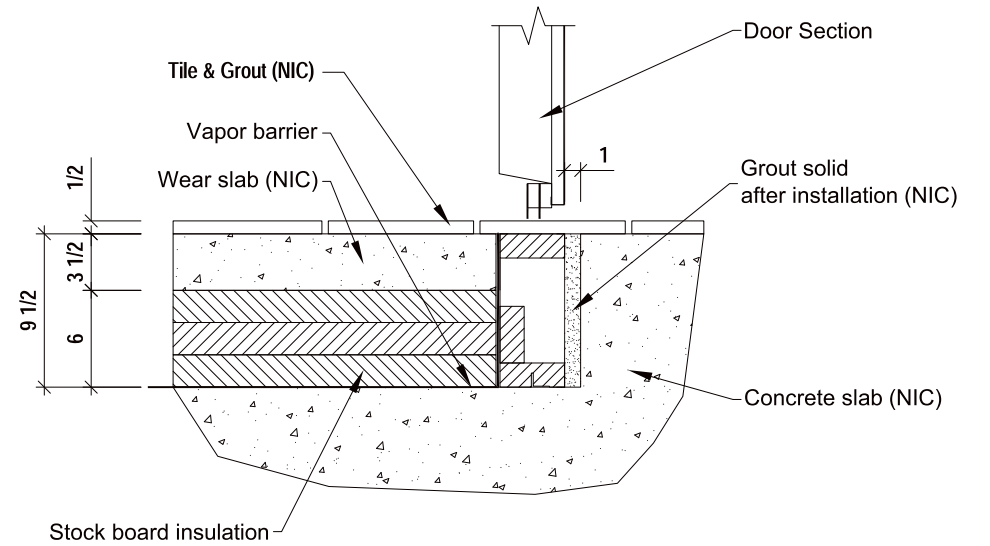
**3** COVE BASE DETAIL  
**1** Over Concrete Floor (NTS)



**4** INSULATED PIT DETAIL  
**1** Tile @ Wall Panel Section



**5** INSULATED PIT DETAIL  
**1** Raised flush freezer door with tile



**6** INSULATED PIT DETAIL  
**1** Flush cooler door with tile